

# Data Sheet

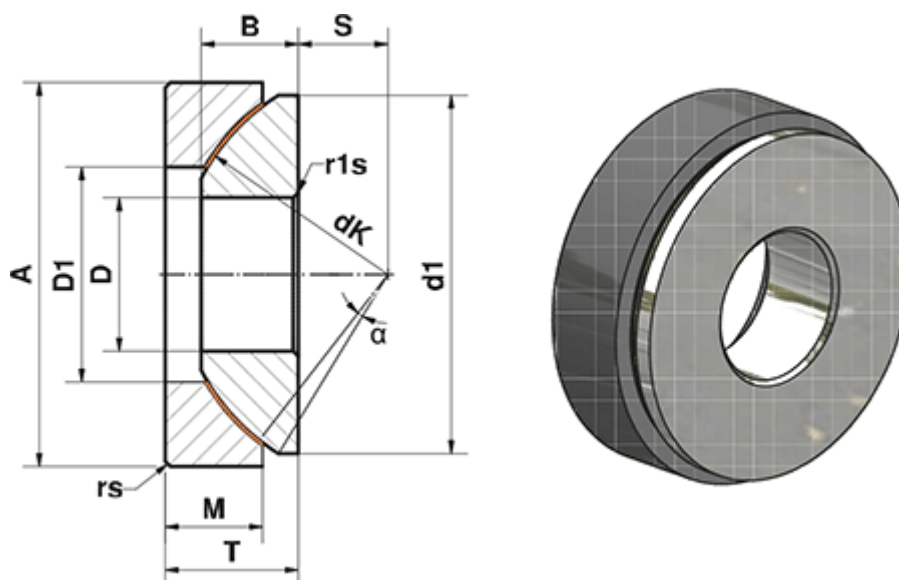


Article number: 03450160

Description: Fluro Heavy Duty Spherical Plain Bearing GE 160 AWE  
Hole  $\varnothing$ 160

Note: 160

## Measures



A	= 290	M	= 58
a (degrees)	= 2	rs, r1s min	= 1.5
B	= 66	S	= 65
D	= 160	Static load C0 (kN)	= 11680
D1	= 200	T	= 77
d1 min	= 271	Weight (g)	= 25000
dK	= 313		
Dynamic load C (kN)	= 7008		